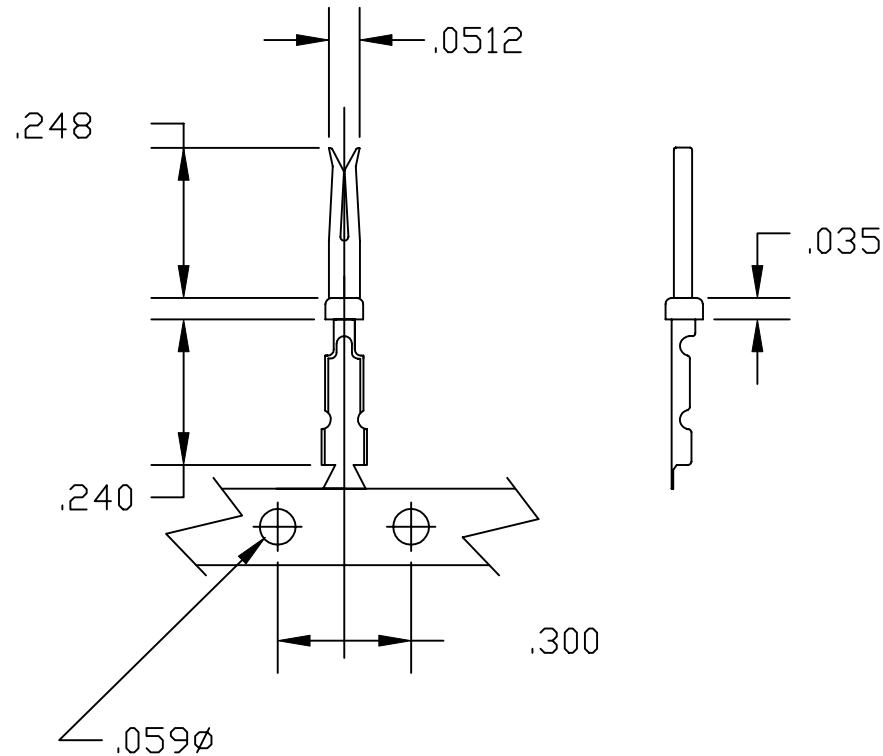


DESCRIPTION:



MATERIAL: PHOSPHOR BRONZE  
PLATING: 10 MICRO-INCH GOLD OVER 50 MICRO-INCH NICKEL  
NICKEL ON WIRE CRIMP AREA.  
WIRE SIZE: 22 - 26 AWG  
REEL SIZE: 10,000 PCS.



THESE DRAWINGS AND SPECIFICATIONS ARE THE PROPERTY OF NorComp AND SHALL NOT BE REPRODUCED, COPIED OR USED AS THE BASIS FOR THE MANUFACTURE OF SALE OF APPARATUS WITHOUT WRITTEN PERMISSION.

DRAWN:  
PAM JENKINS

DATE:  
3-30-01

CHECKED:

DATE:

**NorComp**

SCALE: SHEET 1 OF 1 REV 1

DWG NO.  
180-002-170-001